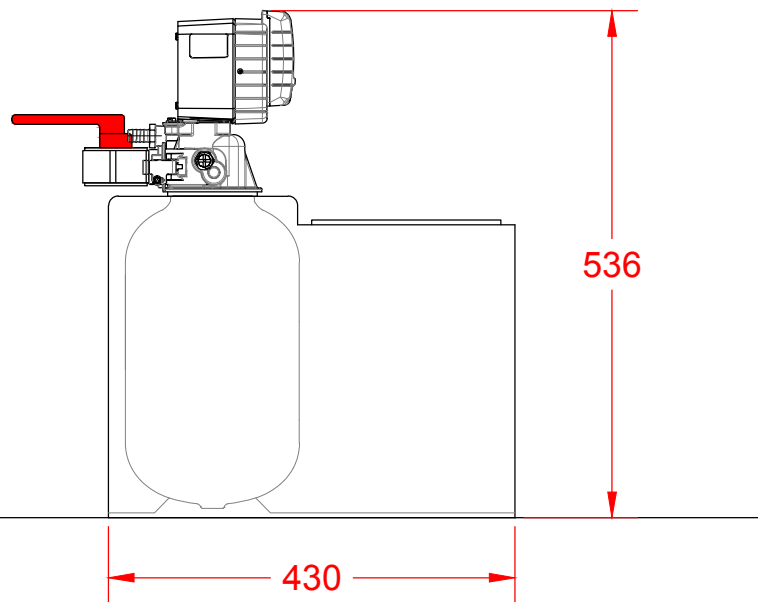
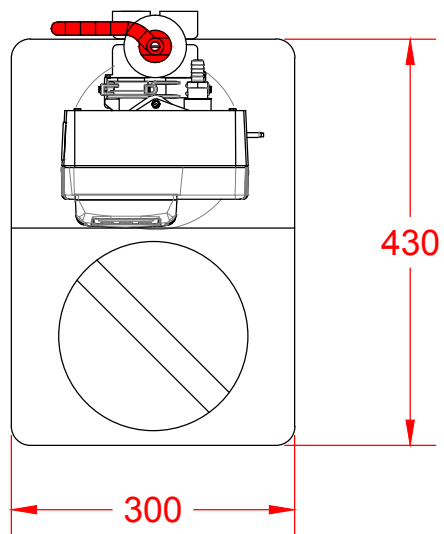


vooraanzicht



zijaanzicht



bovenaanzicht

<h1>Wairtec NL</h1>		Date: 18-03-2013	Scale: 1:8
		Drawing type: ACAD	Format: A4
Projection:	Description: afmetingen EA-CA505W/T	Measurements: (mm)	Vessel: Q 07-13
		Drawn by: Onno Zwaan	